



MHT-EP

Product Data **Mobile elevating and tilting stretcher**



DESCRIPTION

Mobile table with removable, movable upward/downward and tilting patient table top

The stretcher is especially suitable for moving and positioning the patient during basic and first aid radiological examinations.

The table is mounted on four independent swivelling wheels, each of which equipped with brake.

The table top tilting angle is of $\pm 10^\circ$ and the upward manual movement is assisted by gas springs acted by a safety splitted lever. At the long sides of the table top, steel guides permit the support and the fastening of the accessories. The bar of connection of the table legs is placed far down so to allow to use the space under the table top at the best.

TECNICAL FEATURES

Table top dimensions	1940 x 552 mm
Table top — floor distance	Min 725 mm / Max 1060 mm
Table top — tilting angle	$\pm 10^\circ$
Table top	Laminated plastic
Table top absorption	0.9 mm Al eq.
Max patient weight	130kg

OPTION

- Foam rubber mattress
- Compression band with ratchet
- 35x43 cm lateral cassette holder
- Arm support
- Flebo support
- Fixing clamp for Arm and flebo support



e s s e 3
BMI
BIOMEDICAL INTERNATIONAL

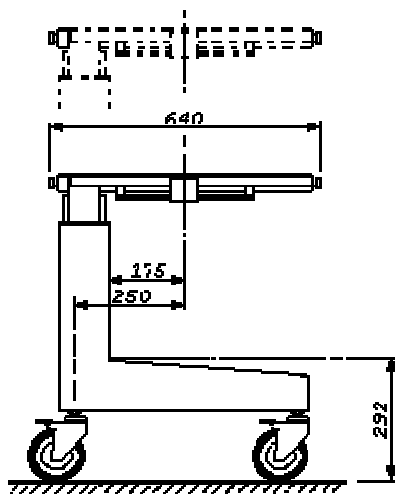
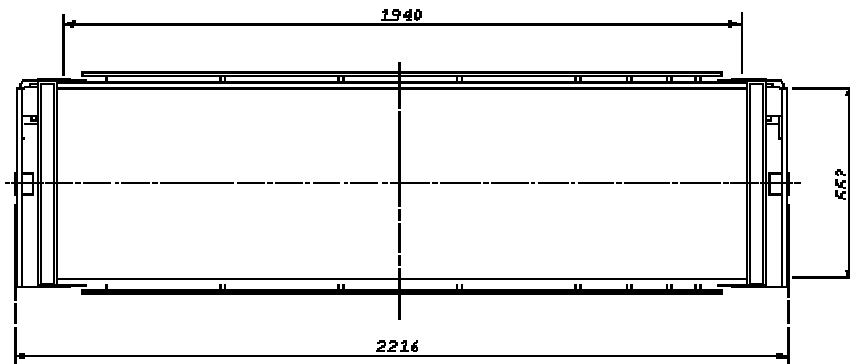
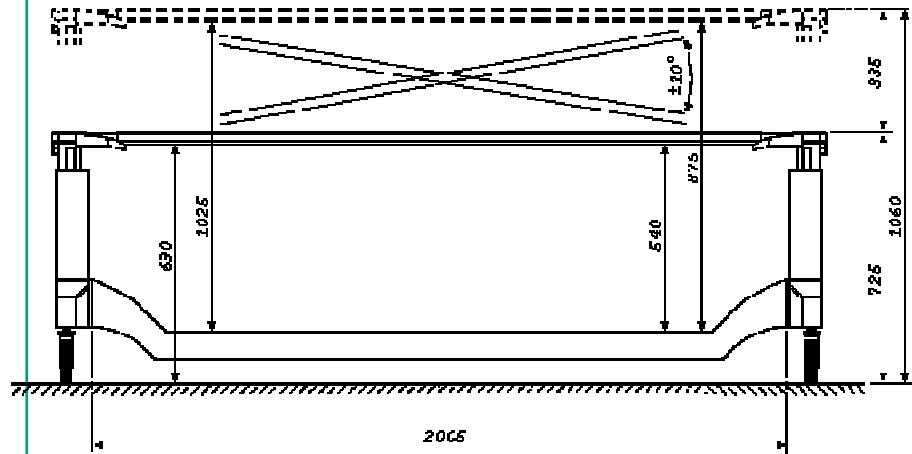


MHT-EP

Product Data **Mobile elevating and tilting stretcher**



DIMENSIONS



CE



ESSE3
BMI
BIOMEDICAL INTERNATIONAL

ESSE3 Via Garibaldi 30
14022 Castelnuovo D.B. (AT)
Tel +39 011 99 27 706
Fax +39 011 99 27 506
e-mail esse3@chierinet.it
web: www.esse3-medical.com

