

BAT-F

Product data Angiographic table

EQUIPMENT DESCRIPTION AND USE

Mobile radiographic table with floating and elevating carbon fiber top, featuring manual and motorized movements; suitable to support and position the patient for radiographic examinations of traditional and digital angiography, electrofisiology, minor surgery and pace-makers emplacements.

This table can be coupled with ceiling / floor mounted or with mobile C-arms.

An ergonomic grip with an incorporated push-button (for brake release) allows easy table top movements in four directions, even when loaded with an heavy patient. Table top braking system works through permanent magnet brakes for maximum safety.

Push-buttons controlling brakes and motorized movements are located near the control box grip for a quick and easy use.

A complete set of accessories is available on request.



BMI
BIOMEDICAL INTERNATIONAL

TECHICAL FEATURES

TABLE TOP in carbon fibre	<ul style="list-style-type: none"> • Profile • Overall lenght • Lenght of transparent area • Part free from metal structure • Overall width • Width of transparent area • Thickness • Absorption in mm Al equivalent • Patient's max weight • Fixing of the accessories • Fixing of the accessories 	rectangular (or anatomic on request) 210 cm (82.7 in) 160 cm (63 in) 113,2 cm (44.6 in) 61,8 cm (24.3 in) 45,7 cm (18 in) 3,3 cm (1.3 in) 0,7 (0.028 in) 150 kg (330 lb) on Al lateral rails on carbon fibre top edge
LATERAL MOVEMENT Manual	<ul style="list-style-type: none"> • Travel • Locking device • Manual moving effort (without patient) 	± 14 cm (± 5.5 in) permanent magnet brake ≤ 10 N (≤ 2.25 lb)
LONGITUDINAL MOVEMENT Manual and motorized	<ul style="list-style-type: none"> • Travel • Locking device • Manual moving effort (without patient) • Max. cantilever 	100 cm permanent magnet brake ≤ 15 N (≤ 3.37 lb) 160 cm (63 in)
VERTICAL MOVEMENT Motorized	<ul style="list-style-type: none"> • Minimum distance from floor • Travel • Average speed 	82 cm (32.3 in) 28 cm (11 in) 1,3 cm/s (0.5 in/s)
ON BOARD CONTROL PANEL	<ul style="list-style-type: none"> • Manual floating top / brakes release • Motorized movements control 	by hand grip / push button by push buttons
POWER REQUIREMENTS	<ul style="list-style-type: none"> • Single phase line voltage • Max absorbed power 	230 V 50/60 Hz (115V on request) 280 VA
WEIGHT	<ul style="list-style-type: none"> • 290 kg (640 lb) 	
STANDARD COLOUR OF PAINTED PARTS	<ul style="list-style-type: none"> • RAL 9002 	
EQUIPMENT IDENTIFICATION according EN 60 601	<ul style="list-style-type: none"> • Classification • Typology of installation • Working mode 	class I type B mobile unit continuous with intermittent load
TRANSPORT AND STOCK ENVIRONMENT	<ul style="list-style-type: none"> • Temperature range • Relative humidity range (without condensing) • Atmospheric pressure range 	0 °C to 50 °C (32 °F to 122 °F) 10% to 90% 50 - 110 kPa (7.25 PSI to 15.95 PSI)
OPERATING ENVIRONMENT	<ul style="list-style-type: none"> • Temperature range • Relative humidity range • Atmospheric pressure range 	10 °C ÷ 40 °C (50 °F to 104 °F) 30% ÷ 75% 70 - 110 kPa (10.15 PSI to 15.95 PSI)

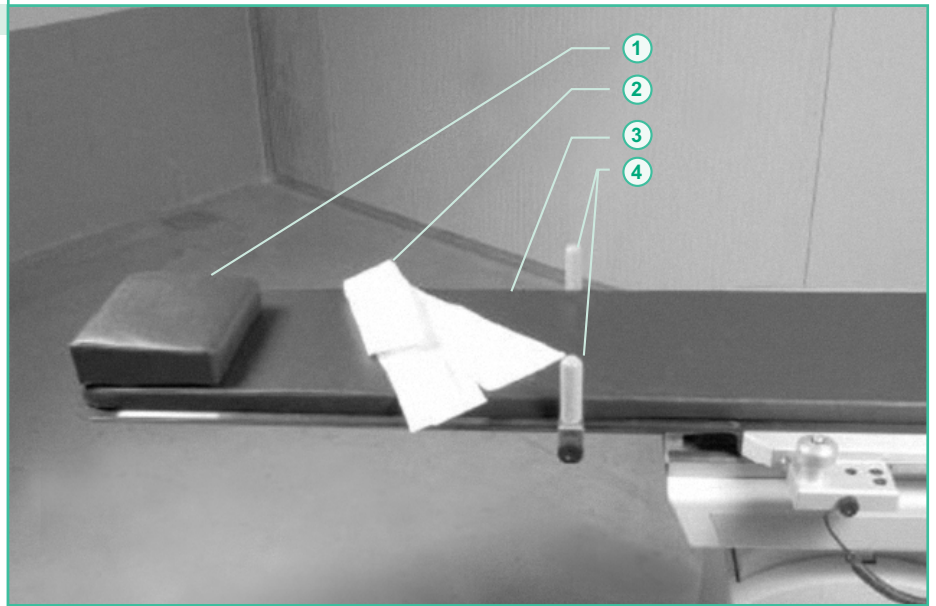
ACCESSORIES OPTIONS

CTA007-A	Top foam rubber mattress (whole profile)
CTA009-A	Top foam rubber mattress (anatomic profile)
CTA003	Patient arm support (to be completed with accessory fixing clamp CTA021)
CTA004	Flebo support (to be completed with accessory fixing clamp - CTA020 or CTA070)
CTA005	Pair of patient hand grips
CTA006	Set of 3 Velcro belts
CTA008	ECG head support
CTA021	Clamp for accessories fixing to carbon fibre top edge
CTA070	Clamp for accessories fixing to steel lateral rail
CTA032	Shoulder rest
CTA034	Anaesthesia screen support (to be completed with accessory fixing clamp CTA021 or CTA070)
CTA035	Head side patient handle bar
CTA013	Pair of table top lateral extensions
CTA038	Pair of table top lateral extensions 75 x 11 cm
CTA071	Lower body protector
CTA042	Jointed extension of protective shield support arm
CTA031	Removable upper body protector h= 17 cm
CTA037	Removable upper body protector h= 25 cm
CTA036	Patient footrest (complete of clamps for fastening to the lateral bars)
CTA041	30x25x8 cm headrest cushion
CTA043	Polycarbonate extension for catheters supporting 56x80 cm (table top foot side fixing)
CTA044	Backrest lateral support (table top carbon edge fixing)
CTA045	Pair of legs support (complete of carbon fibre clamps)

OPTIONS

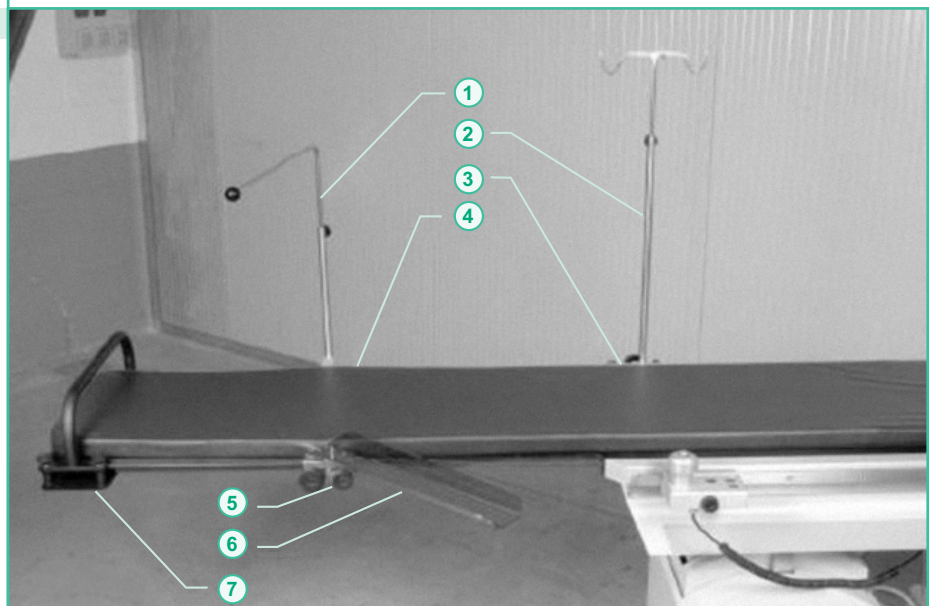
CTA001	Table under-floor fixing frame
CTA002	Table on wheels
CTPA01	Table top with anatomic profile

FIG. 1



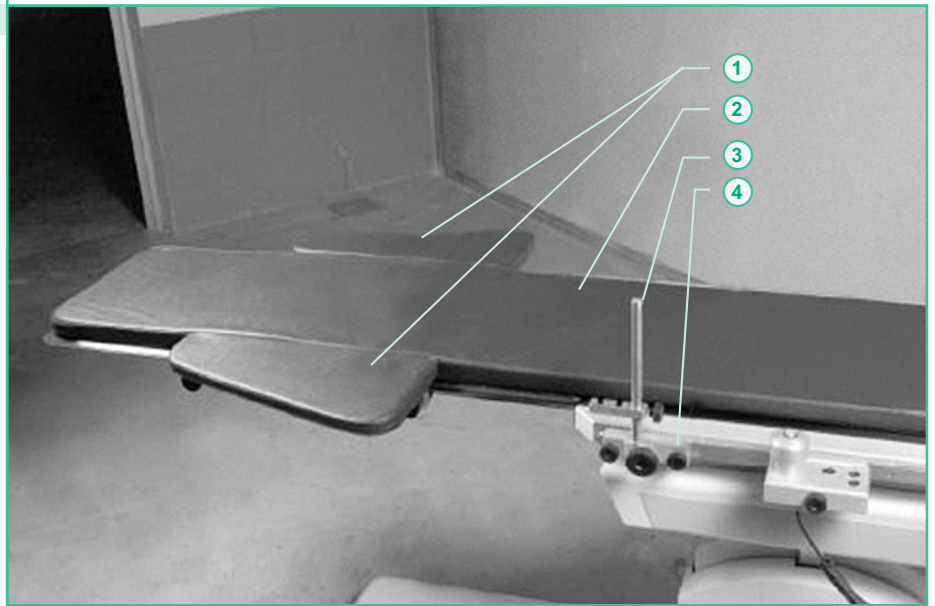
Pos.	Description	Code
1	Headrest cushion 30x25x8 cm	CTA041
2	Set of 3 Velcro belts	CTA006
3	Top foam rubber mattress (whole profile)	CTA007
4	Pair of patient hand grips	CTA005

FIG. 2



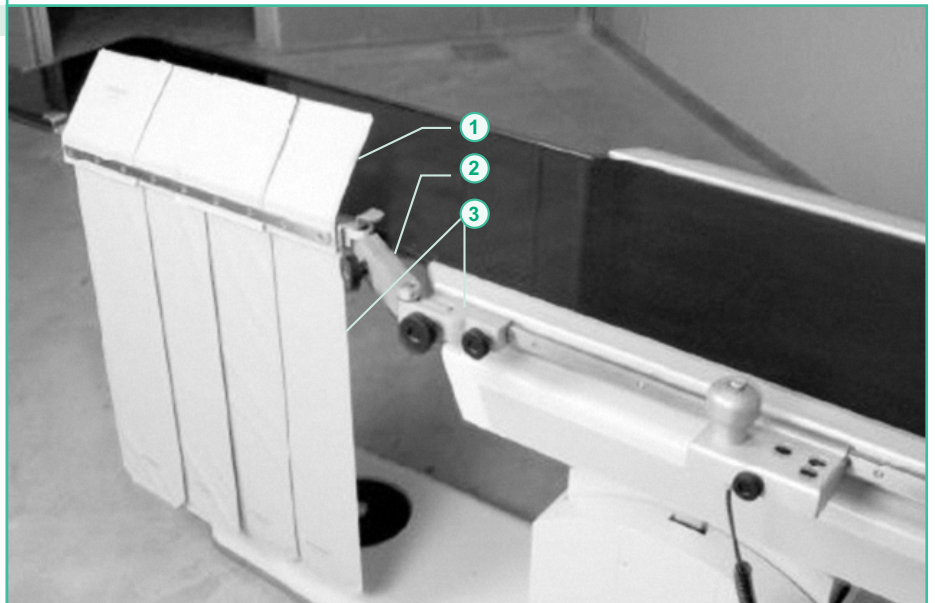
Pos.	Description	Code
1	Anaesthesia screen support (to be completed with accessory fixing clamp CTA021 or CTA070)	CTA034
2	Flebo support (to be completed with accessory fixing clamp - CTA020 or CTA070)	CTA004
3	Clamp for accessories fixing to steel lateral rail	CTA070
4	Top foam rubber mattress (whole profile)	CTA007
5	Clamp for accessories fixing to carbon fibre top edge	CTA021
6	Patient arm support (to be completed with accessory fixing clamp CTA021)	CTA003
7	Head side patient handle bar	CTA035

FIG. 3



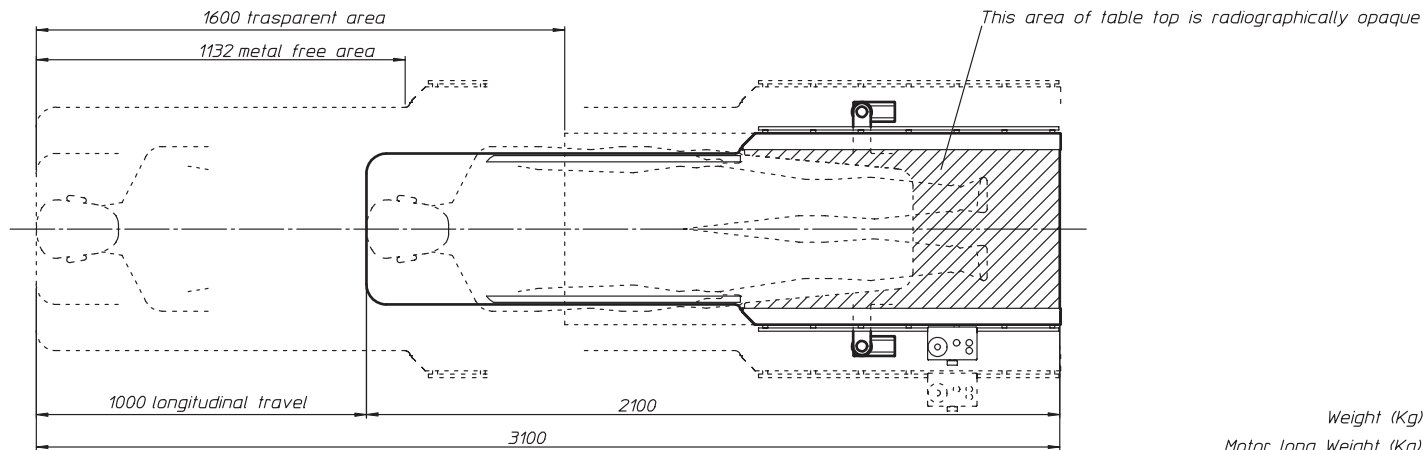
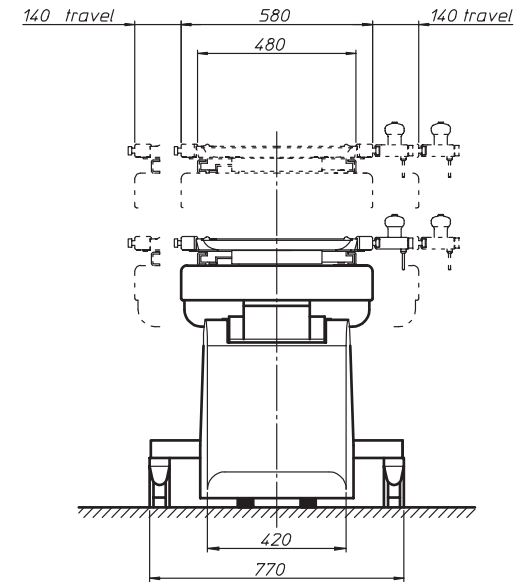
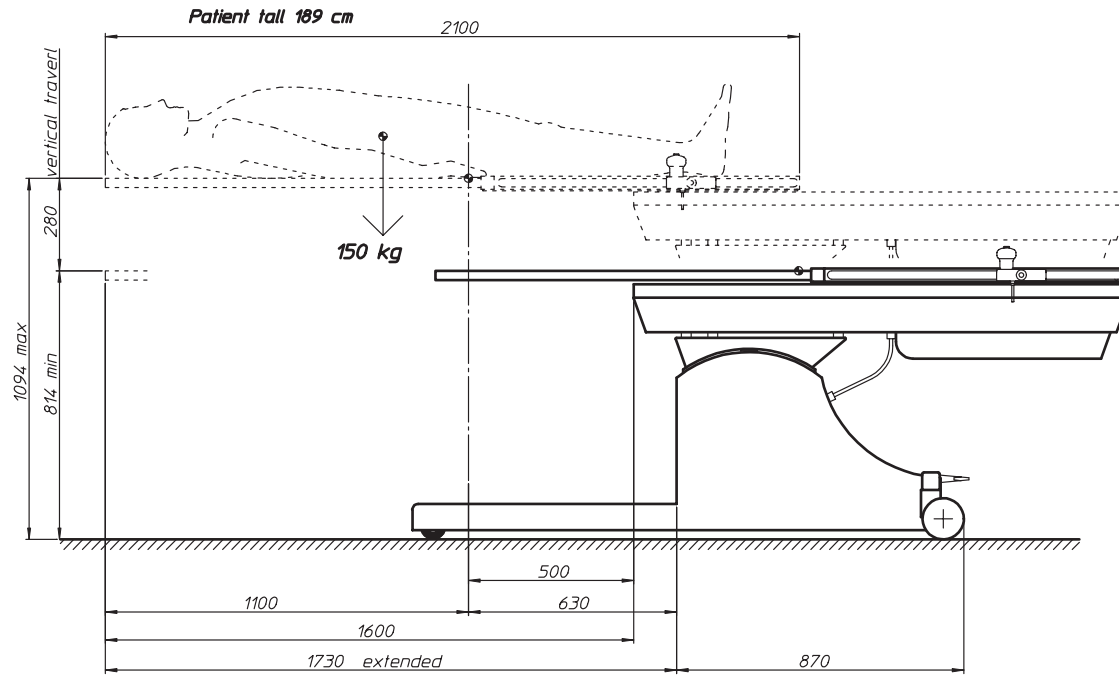
Pos.	Description	Code
1	Pair of table top lateral extensions	CTA013
2	Top foam rubber mattress (whole profile)	CTA007
3	ECG head support	CTA008
4	Clamp for accessories fixing to steel lateral rail	CTA070

FIG. 4



Pos.	Description	Code
1	Removable upper body protector, h=17	CTA031
1*	Removable upper body protector, h=25	CTA037
2	Jointed extension of protective shield support arm	CTA042
3	Lower body protector	CTA071

* In the picture the rising of 17 cm is shown.



Weight (Kg) 290
 Motor long Weight (Kg) 310
 Vale dal sn 15-502